

## PD02 Pressure Snubber

### FEATURES

- 316L Stainless steel, Hastelloy C-276 or Monel body
- External pulsation adjustment to meet a variety of applications
- Wetted parts compatible with many processes

### TYPICAL USES

- Oil and gas
- Refineries
- Chemical and petrochemical
- Water and wastewater
- Biogas and biodiesel



**PD02**  
Pressure Snubber

### SPECIFICATIONS

Process Conn: ½ NPT Male

Instrument Conn: ½ NPT Female

Max Allowable Working Pressure: 6000 psi

Maximum Temperature: 248°F/120°C

### WETTED COMPONENTS

Part	Style A	Style B	Style C
Body	316L SS	Hastelloy C-276	Monel
Valve Stem	316L SS	Hastelloy C-276	Monel
O-Ring	FKM	FKM	FKM

### NON-WETTED COMPONENTS

Part	Style A	Style B	Style C
Screw Plug	316Ti SS	316Ti SS	316Ti SS

### KEY BENEFITS

- External adjustment allows for dampening action to be increased or decreased
- Protects pressure instrument from process pressure pulsation

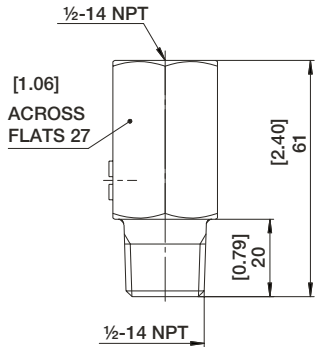
**PD02 Pressure Snubber**

<b>ORDERING CODE:</b>	<b>Example:</b>	04	PD02	A	SS	50	- X5G
<b>Process Connection</b>							
04 - ½ NPT Male							
<b>Model</b>							
PD02 - Pressure snubber				PD02			
<b>Style</b>							
A - 316L Stainless steel				A			
B - Hastelloy C-276							
C - Monel							
<b>Material</b>							
SS - 316L Stainless steel					SS		
HH - Hastelloy C-276							
PM - Monel							
<b>Instrument Connection</b>							
50 - ½ NPT Female							
<b>Options (if choosing an option(s) must include an "-X")</b>							
5G - Siphon attached to instrument							5G

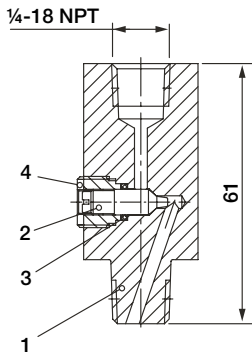
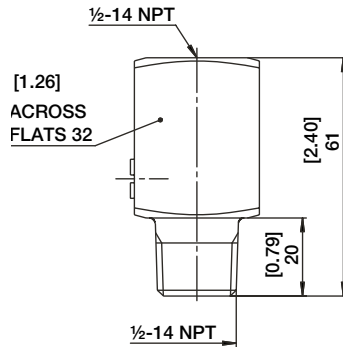
**DIMENSIONS**

For reference only, consult Ashcroft for specific dimensional drawings

**Style A/C Snubber  
(316L SS/Monel)**



**Style B Snubber  
Hastelloy C-276**



**COMPONENTS**

Part	Materials
1 - Body	316L Stainless Steel
2 - Valve Stem	316L Stainless Steel
4 - Screw Plug	316Ti Stainless Steel
3 - O-Ring	FKM