

F5502

25

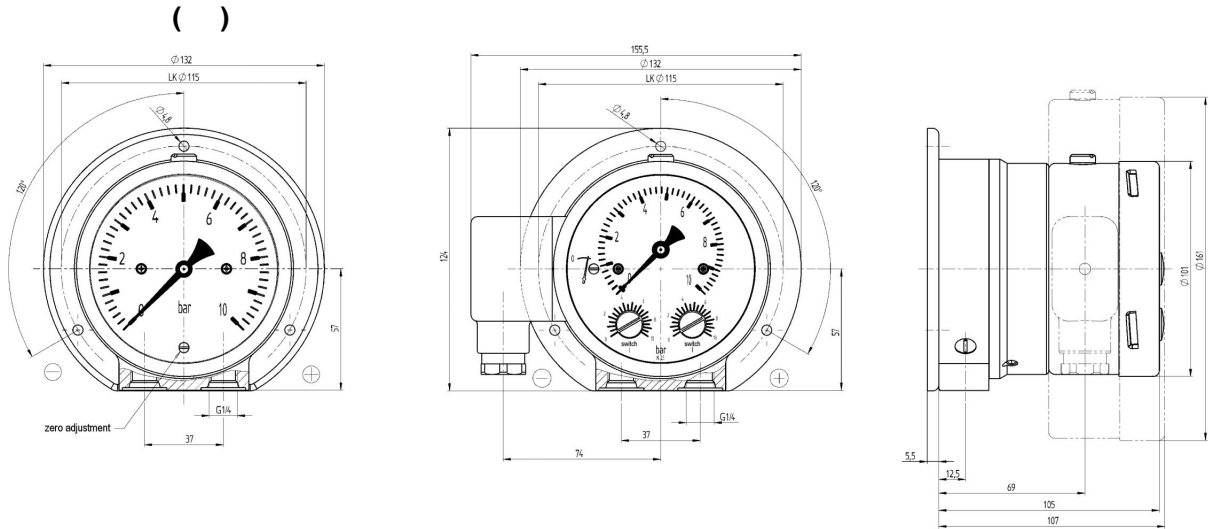
100 : 160
2,5% (EN), 1,6%

25
IP65

0 ... 0,6 : 0 ... 16

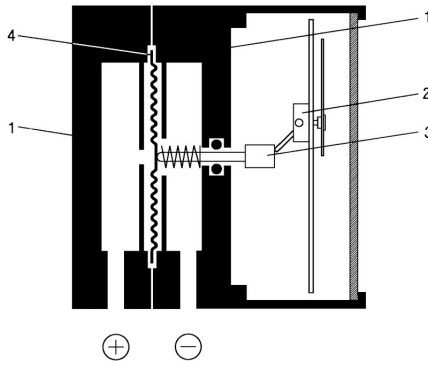


| | | F5502 | |
|---------------------|-----|--|--------------------------|
| | | 100 | 160 |
| () | | | |
| () | () | 0,6 1 1,6 2,5 4 6 10 16 | 25 |
| | | G ¼ B, G ¼ , G ½ B, G ½ ¼ NPT, ¼ NPT, ½ NP , ½ NPT, | |
| | | 316L (1.4404) 316L (1.4404), 600 (2.4781) 304 (1.4301), | FPM 316 (1.4401) |
| | | 2,5 (2,5 % F.S.), | 1,6 (1,6 %) |
| | | 5 A 250 VAC (P . 250 VA); 3 A 28 VDC | DIN EN 175301-803 |
| | | -20 ... 80 °C . 100 °C -40 ... 60 °C . 0,3 % / 10 K | |
| (EN 60 529/IEC 529) | | IP65 | |
| CE | | | - EN 61010-1, EN 60947-1 |
| | | 2" | |
| (/) [] | | 3,6/3,8 | 3,8/4,2 |
| | | , 1 | 2 SPDT() |



Rev. C

Measuring principle



- 1 Pressure chamber
- 2 Movement
- 3 Push rod
- 4 Diaphragm

| | | | | | | | |
|--------------|--------------------------|----------|-------------|-----|--|--------------|------------|
| (100) 100 | (S) 316L | (=) IP65 | (02) ¼" NPT | (L) | 0/0,6 0/1 | (=) | (NH) |
| (160) 160 | (1.4404) 600 (2.4781) | (L) | (04) ½" NPT | | 0/1,6 0/2,5 0/4 0/6 0/10 0/16 | (GR) | (6B) |
| | | | (13) G ¼" B | | | (GV) | (CS) |
| | | | (15) G ½" B | | | (GX) | (DA) |
| | | | (25) ¼" NPT | | | (Q3) 1 SPDT | (TM) |
| | | | (27) G ¼" B | | | (Q33) 2 SPDT | 2" |
| | | | (50) ½" NPT | | | | (LJ) |
| | | | | | | | (YW) |
| | | | | | | | (AN) 1,6 % |

100 F5502 S = 27 L 0/6 BAR = NH