

1134

2,4

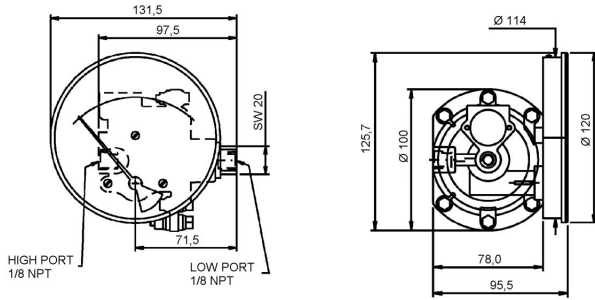


- 4 ½", 114
- : 3 %
- IP65
- :
- 0 ... 25
- 0 ... 1250
- :

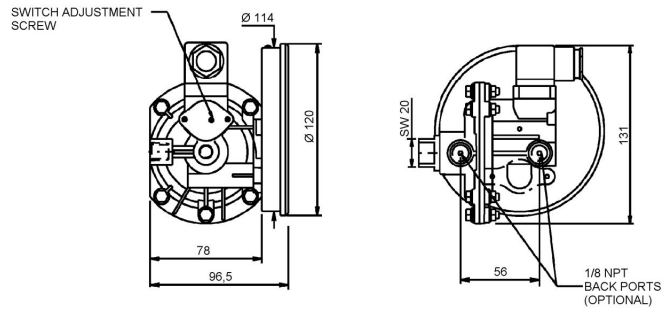
	1134
[]	114 (4 ½"), 150
(. . .) () (. . .) ()	25 50 75 100 125 150 200 250 375 500 750 1000 1250 250 500 750 1000 1250 1500 2000 2500 3750 5000 7500 10000 12500 1 2 3 4 5 6 8 10 15 20 25 30 40 50 2,4 (35 psi)
	1/8 NPT
	()
, , /	Buna-N, 304 (1.4301)/Buna-N , ,
	3 % 0 ... 60 °C . 60 °C 0 ... 60 °C 0,3 % / 10 K
EN 60 529/IEC 529	IP65
	" , "), 2" (
()	0,4
	(3/16", 4 6),
	1 2 SPST (10 VA, 100 VAC DC, 0,5 A) DIN 1 2 SPDT (3 VA, 30 VAC DC, 0,3 A) DIN

()

STANDARD DIMENSIONS

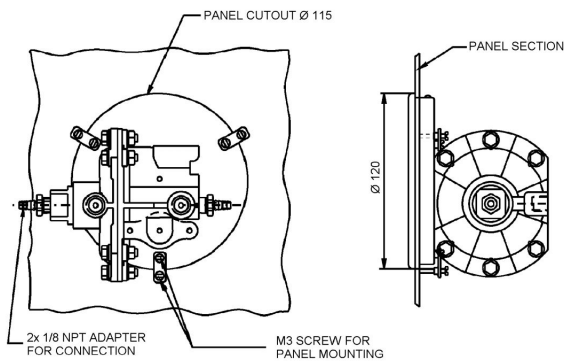


GAUGE+SWITCH WITH REED CONTACTS WITH A DIN PLUG

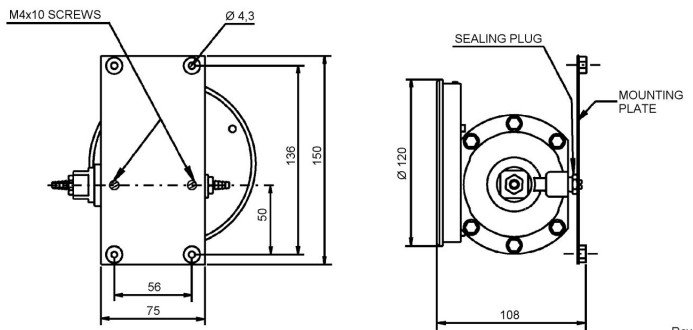


This instrument with its off-center profile can still be easily inserted in a 115 mm panel cutout.

FLUSH MOUNTING DETAIL



SURFACE MOUNTING DETAILS



Rev. A

(45) 4 1/2" (114)	1134	(E)	(D) IP65	(RQ) 1/8 " NPT	(M) () ¹⁾	0/ 25 0/ 50 0/ 75 0/ 100 0/ 125 0/ 150 0/ 200 0/ 250 0/ 375 0/ 500 0/ 750 0/1000 0/1250	(=)	(NH) (CS) (DA) (SV) (PD) (SH) (BF) (TM) (FF1)	2" (Ø150)
--------------------------	------	-----	----------	----------------	--------------------------	---	-----	---	--------------

Order example

45	1134	E	D	RQ	M	0/25	M	=	NH
----	------	---	---	----	---	------	---	---	----